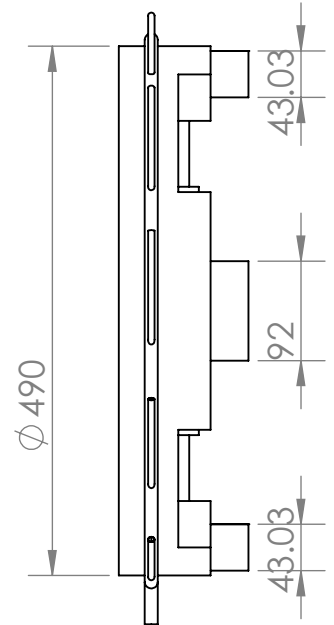
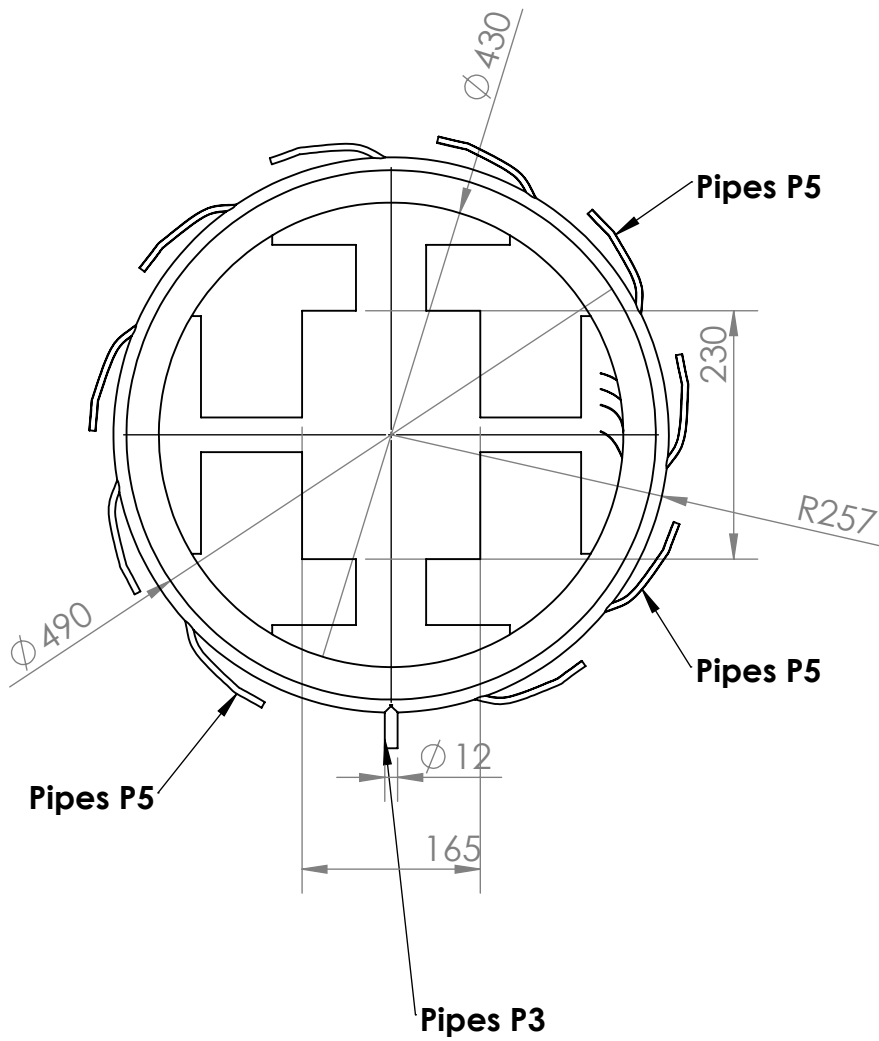
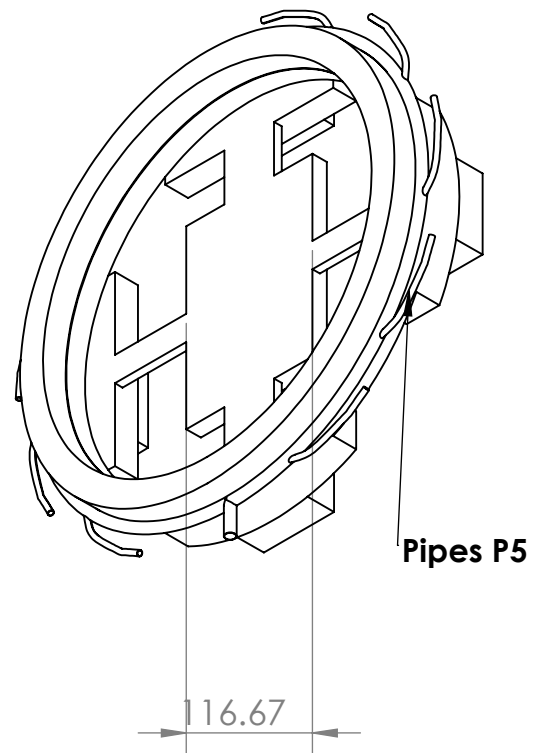
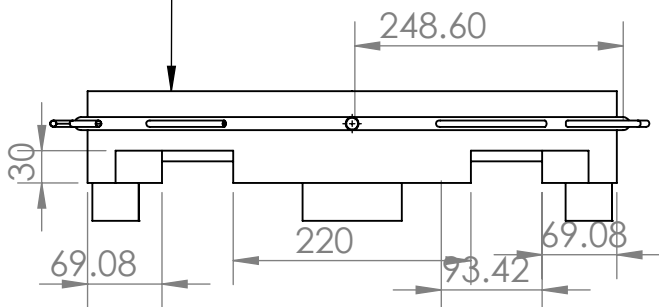


Diagram 5 (ii)



Wooden Material Used



Pipes (P3) I.D= 11mm
O.D= 12mm

Pipes (P5) I.D= 6 mm
O.D= 5.4mm